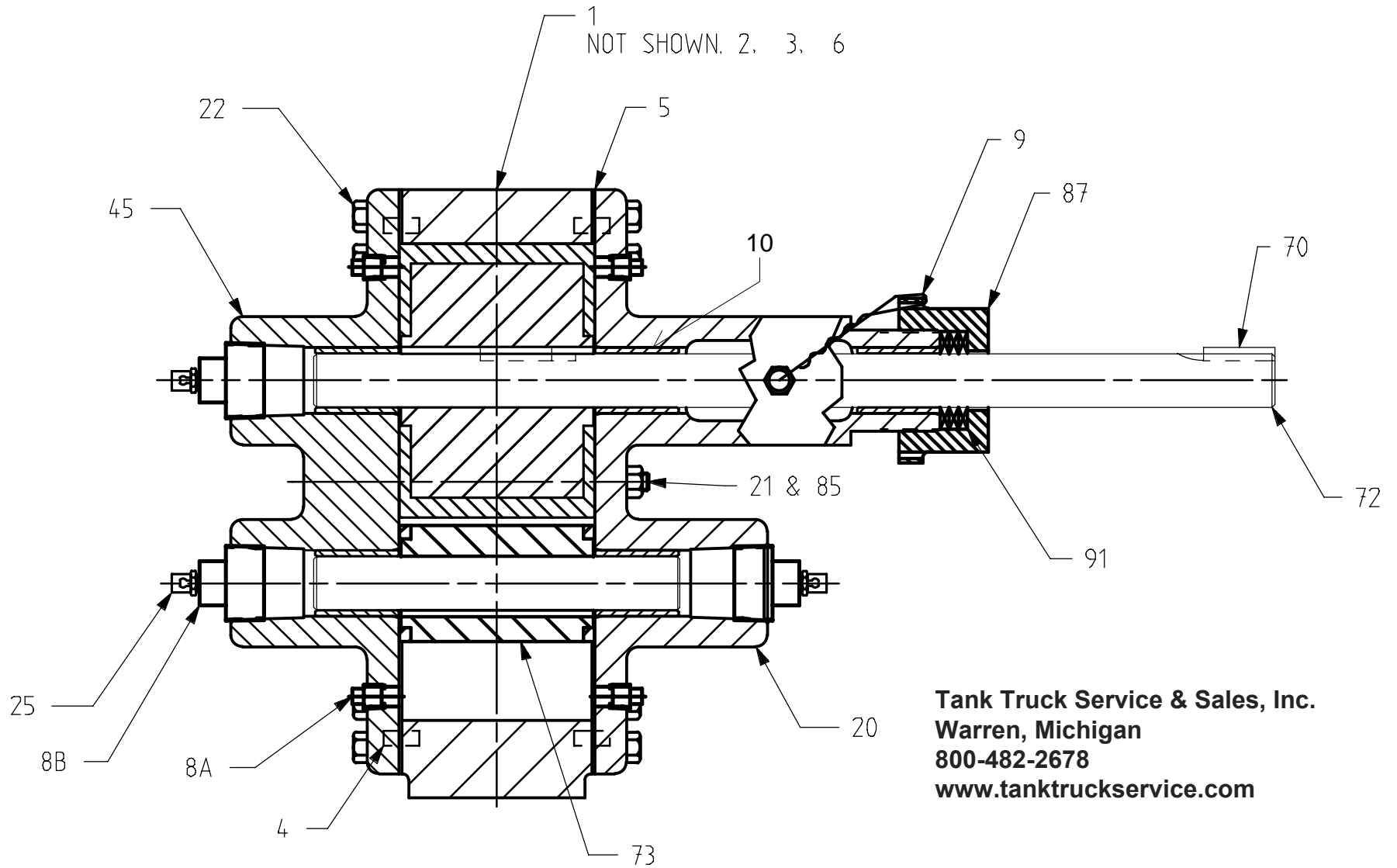


ROPER RUBBER GEAR  
PUMP BREAKDOWN

5658HF

NOT SHOWN - #2. FLANGE GASKET  
#3. FLANGE  
#6. FLANGE BOLTS



Tank Truck Service & Sales, Inc.  
Warren, Michigan  
800-482-2678  
www.tanktruckservice.com

ROPER Model 5658H HL HF HFL 3” Rubber Gear Waste Oil Pump  
 Parts Breakdown  
 Parts Interchange with Bowie 3300 Series Pumps

KEY NO.	DESCRIPTION	QTY	PART NO.
1	Case	1	N22-227
2	Gasket, Flange	2	D11-615
3	Flange	2	P23-151
4	Dowel Pin	4	G48-42
5	Case Gasket	10	D11-614
6	Hex Hd Cap Screw	8	G49-043150
8A	Pipe Plug	4	G56-12
8B	Pipe Plug	3	G56-82
9	Lockwire	1	G58-28
10	Bearing (Bushing) Bronze	5	G5-941
20	Backplate Assy, Bronze Bushings <sup>1</sup>	1	N2-1529
21	Stud		N/A
22	Hex Hd Cap Screw	24	G49-137125
25	Lube Fitting	4	G63-3
45	Faceplate Assy <sup>2</sup>	1	N3-730
70	Key, Drive	1	D30-9
72	Drive Gear, Shaft & Key Assy	1	N1-917
73	Idler Gear, Shaft Assy**	1	N1-918
85	Nut		N/A
87	Packing Gland	1	P10-221
91	Packing Set (3 Pieces)	1	N43-183
N/A	Repair Kit—Major <sup>3</sup>	1	N44-359
N/A	Repair Kit—Minor <sup>4</sup>	1	N44-382
** Key not required, gear is pressed onto splined idler shaft			
1. N2-1529 Backplate Assy includes Bronze Bearings (3) G5-941			
2. N3-730 Faceplate Assy includes Bronze Bearings (2) G5-941			
3. N44-359 Major Repair Kit includes key #'s 5-10-72-73-91.			
4. N44-382 Minor Repair Kit includes key #'s 5-10-91			